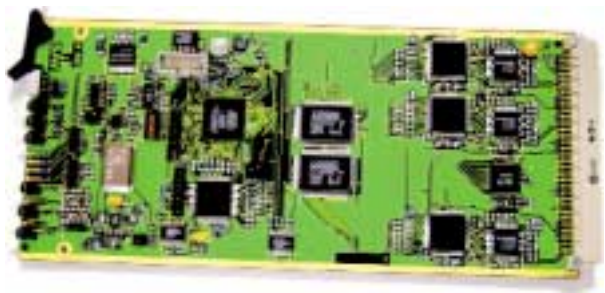


Technical brochure



DSK

Name : DSK2000

Product Type : Digital Keyer

DSK2000 : Digital linear keyer.

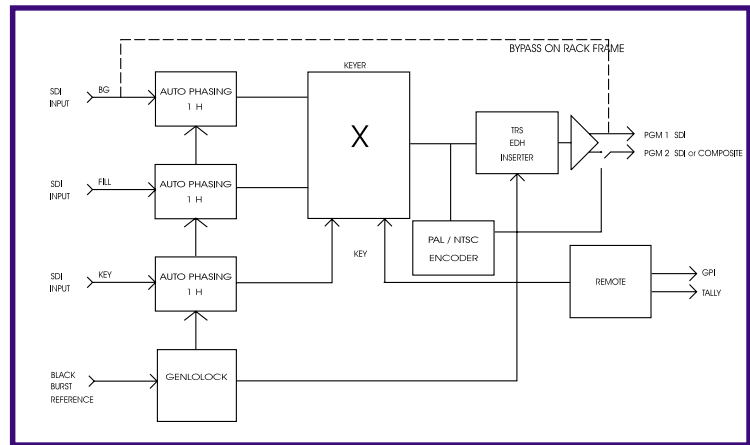
NEW !!

Description

- Broadcast Digital keyer.
- Euronorm board.
- Up to six keyers in a 1U - 19" frame.
- Can be cascaded together (for multiple layers).
- Pass embedded audio

Applications

- Character generator keying.
- Logo keying.
- Add DSK layers to video mixer/switcher....



Specifications

- Linear keying.
- 525/625 lines.
- Internal 12 bits.
- In/out 4:2:2 10 bits.
- 1 BG input with 1 line autophasing.
- 1 FILL input with 1 line autophasing.
- 1 KEY input with 1 line autophasing.
- 2 SDI program outputs or 1 SDI and 1 Pal/NTSC program output selectable with a jumper.
- Automatic bypass of the background to program 1 output on rack frame.
- 1 Input reference : black burst
- Horizontal and vertical phasing.
- EDH insertion.
- Pass ancillary data and embedded audio.
- Control by GPI or Push button (RJ 45).
- 1 Tally output (RJ 45).
- Euro norm board 220 X 100 mm.
- 6 boards in 1U-19" rack frame.
- RS232 remote control of 6 boards on rack frame (option).
- CE specifications.

